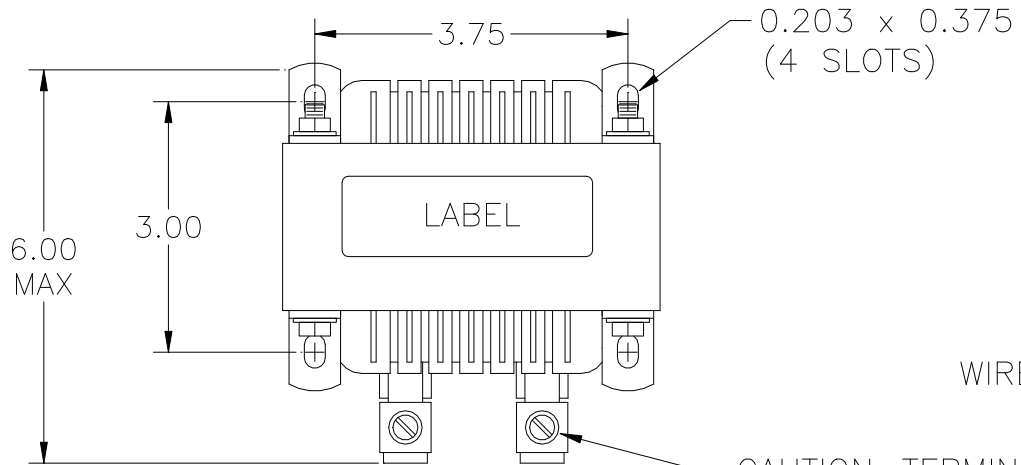


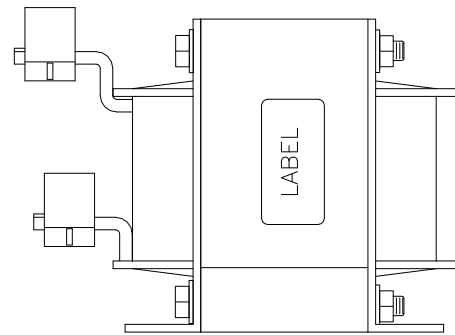
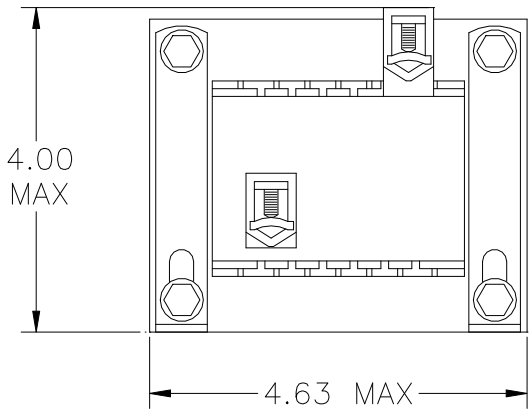
INDUCTANCE	LOSSES	WEIGHT
0.31 mH	20 Watts	10 Lbs

NO.	CHANGE DESCRIPTION	BY	DATE	C'K'D
08	REVISED PER ECR 7175, ADDED CD	RS	8/23/10	



WIRE RANGE: 6-0 AWG

CAUTION-TERMINAL SCREW TIGHTENING TORQUE:
 6-4 (45) in-lb MAX.
 2-0 (50) in-lb MAX.



UNLESS OTHERWISE SPECIFIED, DIMENSIONS ARE IN INCHES [mm] AND TOLERANCES ARE:

DECI. FRAC.

 ANGLES DRILLED HOLES

PART NAME:	DC LINK CHOKE
DESCRIPTION:	OUTLINE DIMENSION
FINISH:	

MTE CORPORATION MENOMONEE FALLS, WISCONSIN			
CD 80RB001			REV. 08
SCALE	NTS	DATE 09/08/94	C'K'D
REF.	DR. BY	RD	APP'D

FILE: